

a canadian specialist of ART devices



ARSCI

the wings to
your success

ARSCI Inc

982 Jean-Neveu

Longueuil QC Canada J4G 2M1

tel 450-674-6886

fax 450-674-8282

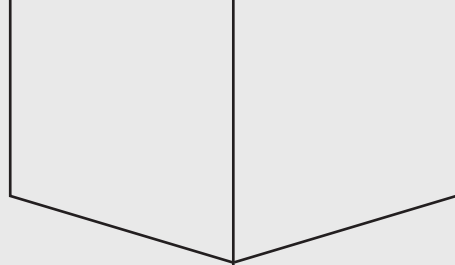
www.arsci.ca

info@arsci.ca

**ACCURATE
MEASUREMENTS**

**SAFE
USAGES**

**CONSISTENT
QUALITY**



SIMPLICITY

make life simple

Our Mission and Values

ARSCI Inc. aims to help you successfully achieve your goals.

With a combination of **efficiency** in processes, **effectiveness** in production techniques and **safety** in quality control, ARSCI Inc. intends to assist and provide you with the best tools for an effortless and gratifying approach towards desired results.

We supply state of art devices all in one place for you to focus on creating life, and in turn making your life simple.

Testimonials

“Denuding pipette, JY holder and silicon bulb have allowed students to assimilate the handling of oocyte more effectively. ... The instrument is easy to use, delicate/not too cumbersome and very convenient. Parts unit that must be replaced such as denuding pipettes and silicon bulbs have a good quality/price ratio. The service and the relationship with ARSCI Inc. was satisfactory. I would definitely recommend to colleagues to try their products.”

—Bruno Prud’homme, M.Sc, Research Center - Maisonneuve - Rosemont Hospital

When asked “What are the two most significant improvements that have resulted from working with ARSCI Inc.?” One of our customer from Thailand has responded they could “save time and stocks”. “The products’ high standard and competitive prices” prompted him to seek ARSCI Inc. products.

—Feedback from Anawat Uthaichalanont, AP Tec Thailand Ltd.

**CONTACT US
FOR MORE INFORMATION**



982 Jean-Neveu
Longueuil QC Canada J4G 2M1
tel 450-674-6886
fax 450-674-8282

info@arsci.ca
www.arsci.ca



Our History

ARSCI Inc., formerly named JieYing Laboratory Inc., was founded in 2006 in Quebec, Canada, by Dr. Ri-Cheng Chian – a reputable professor and scientist in the field of Assisted Reproductive Technology and Reproductive Medicine. Dr. Chian is a pioneer of In Vitro Maturation (IVM) of human oocytes for clinical application and has overseen cryopreservation of human oocytes produced pregnancies and live births in the Department of Obstetrics and Gynecology, Division of Reproductive Biology, at McGill University in Canada.

The company was created from his ambition to provide the most sufficient and the best quality In Vitro Fertilization (IVF) tools and system for scientists, embryologist, clinics and hospitals globally.

With over 10 years of active operation, ARSCI Inc. has provided satisfactory products and solutions to professionals around the world from Canada, Asia, and Europe.

In 2016, the company name was changed to ARSCI Inc. – Assisted Reproductive Science – to mark its new era of innovation and dedication in delivering optimal solutions in the field of ART.



TABLE OF CONTENT

1. JY Microtools

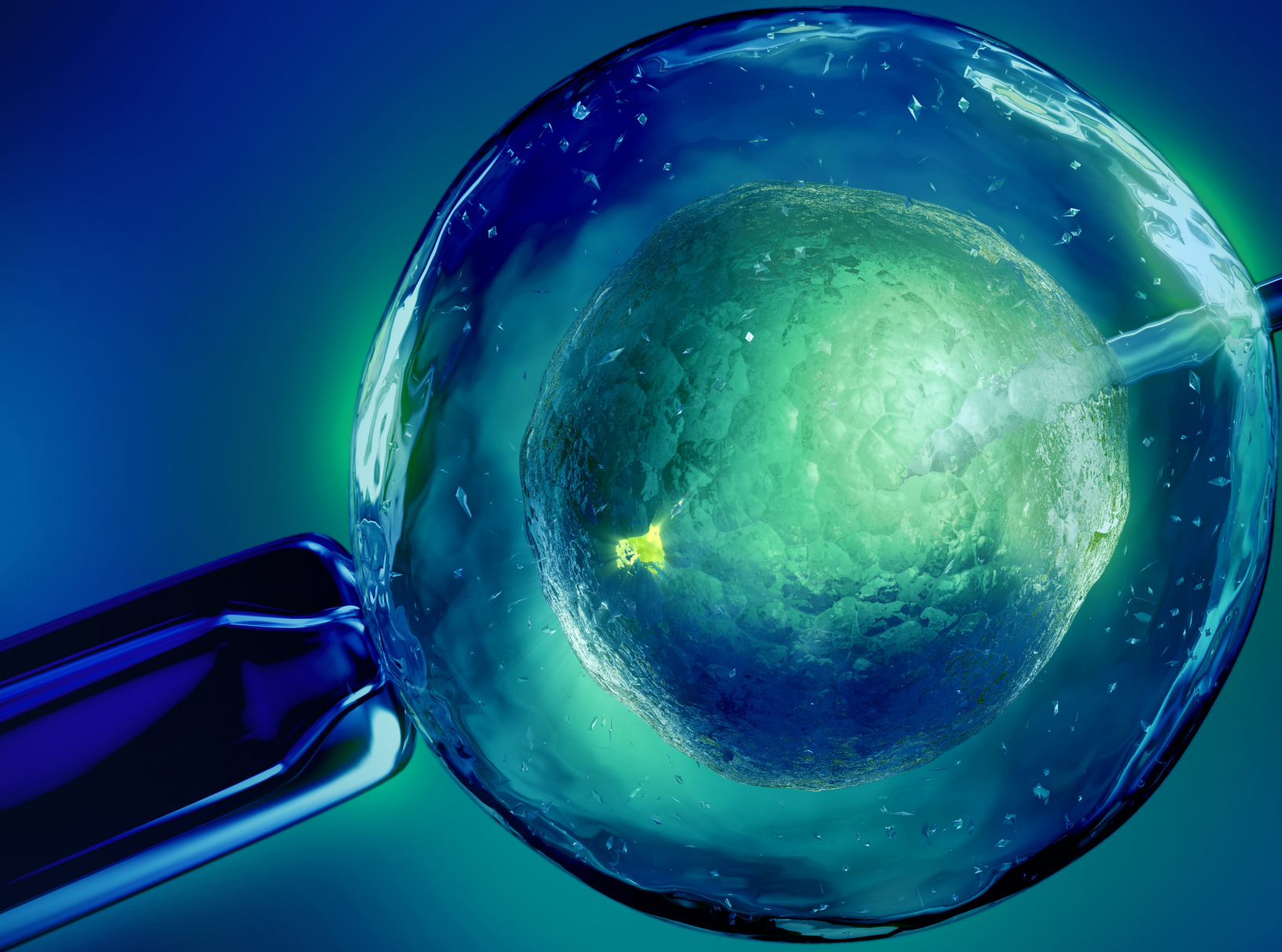
Injection Pipette	13
Holding Pipette	15
Denuding Pipette	17
Silicon Bulb and JY Holder	19
Biopsy Pipette	21
Polar Body Biopsy Pipette	23
Partial Zona Dissection (PZD) Pipette	25
Assisted Hatching (AH) Pipette	27
Transfer Pipette	29

2. JY Mineral Oil

Overlay-O (paraffin oil)	31
--------------------------------	----

3. JY Cryopreservation System

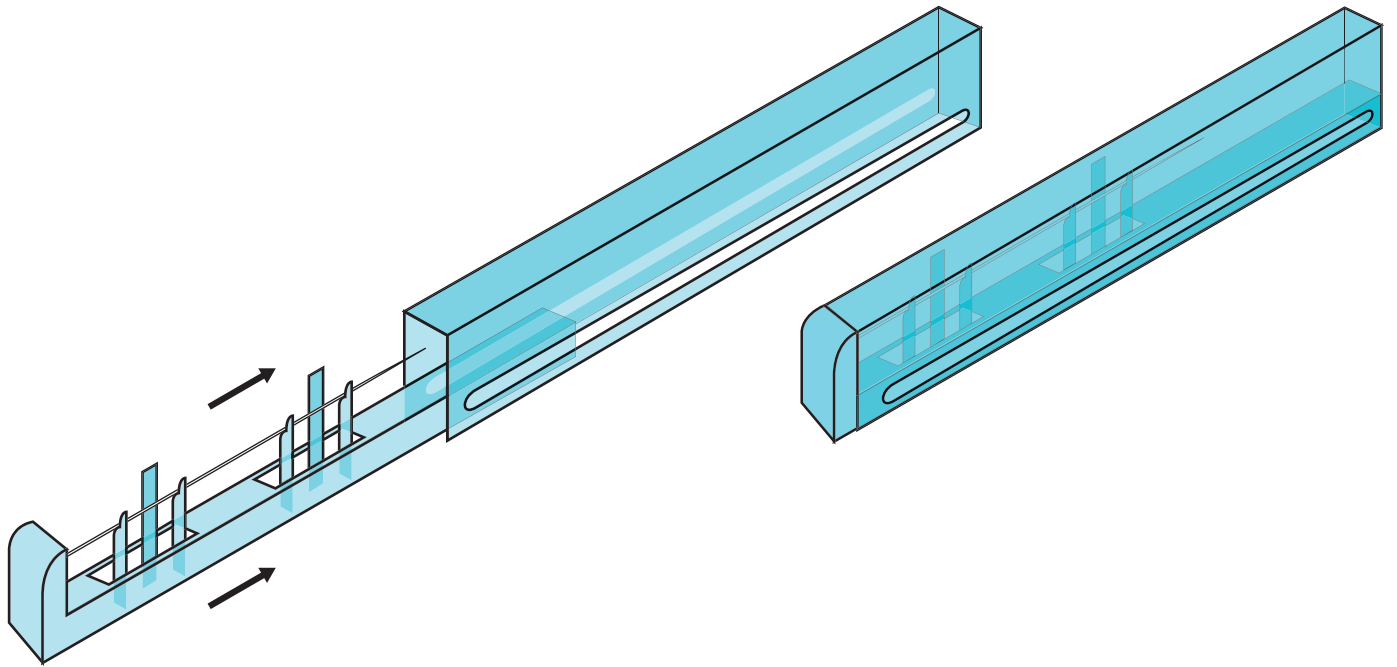
JY Straw	35
<i>Upcoming projects</i>	36



JY microtools

Made of high quality
borosilicate glass








Special protection case



Easy to handle in 2 simple steps: slide and pull

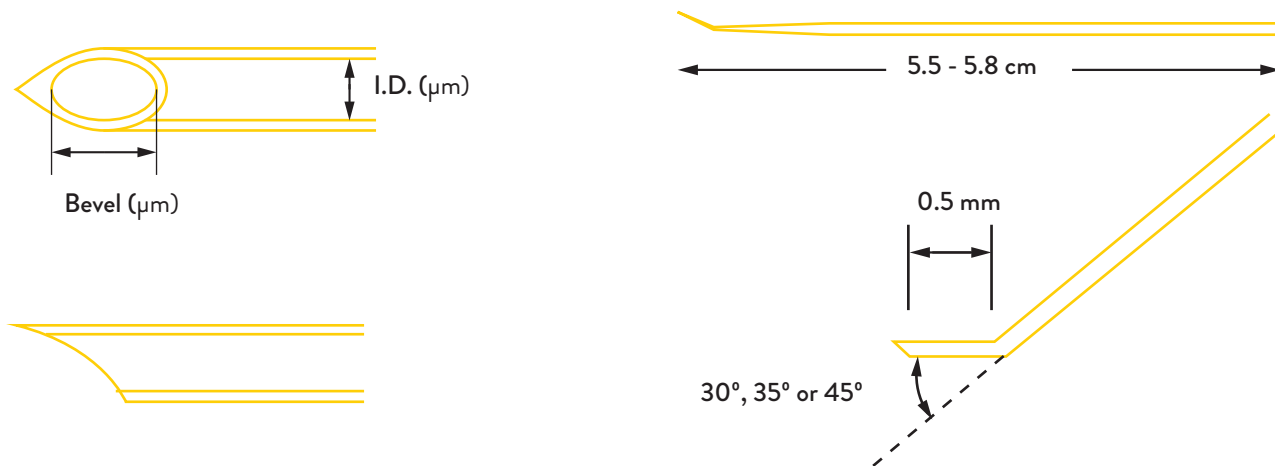
Each JY microtool is safely secured in its protection case, which is specially designed to maximize protection from damage and contamination.

CASE COLORS

-  *injection pipettes*
-  *holding pipettes*
-  *denuding pipettes*
-  *biopsy pipettes*
-  *polar body biopsy pipettes*
-  *PZD pipettes*
-  *assisted Hatching pipettes*

Ref No.	Description	Bevel length	I.D.
<i>Injection pipette with spike (10 pieces per box)</i>			
I-30	30° angle, with spike	8-9 μm	4.5-5.5 μm
I-35	35° angle, with spike	8-9 μm	4.5-5.5 μm
I-45	45° angle, with spike	8-9 μm	4.5-5.5 μm
<i>Injection pipette without spike (10 pieces per box)</i>			
INS-30	30° angle without spike	8-9 μm	4.5-5.5 μm
INS-35	35° angle without spike	8-9 μm	4.5-5.5 μm
INS-45	45° angle without spike	8-9 μm	4.5-5.5 μm

Note: customization available with short turnaround time.



INJECTION PIPETTE

1. Wide selection of standard size injection micropipettes for different angles with or without spike to accommodate user preferences.
2. State of the art production techniques generate:
 - Accurate and consistent measurement specifications of inner diameter for quick and clean sperm transfer.
 - Smoothly polished opening to minimize trauma to oocyte during procedures.

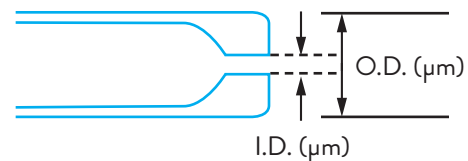
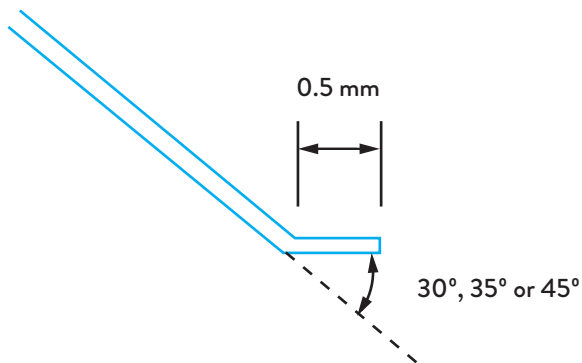
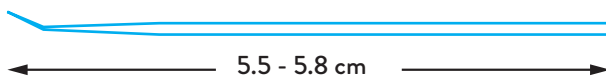
Injection or ICSI (Intracytoplasmic Sperm Injection) micropipettes are used to aspirate and inject sperm directly into the oocyte.

QUALITY CONTROL SPECIFICATIONS

- Endotoxin level < 0.5 EU/device
- MEA percent blastocysts > 80%
- Sterility SAL 10^{-6}

Ref No.	Description	O.D.	I.D.
<i>Holding pipette (10 pieces per box)</i>			
H-30	30° angle, standard	105.0-115.0 μm	19.5-20.5 μm
H-35	35° angle, standard	105.0-115.0 μm	19.5-20.5 μm
H-45	45° angle, standard	105.0-115.0 μm	19.5-20.5 μm
<i>Large holding pipette (10 pieces per box)</i>			
H-30-L	30° angle, large	125.0-135.0 μm	22.5-23.0 μm
H-35-L	35° angle, large	125.0-135.0 μm	22.5-23.0 μm
H-45-L	45° angle, large	125.0-135.0 μm	22.5-23.0 μm

Note: customization available with short turnaround time.



HOLDING PIPETTE

1. Selection of standard size and large size holding micropipettes with a variety of angle choices meet user preferences for handling oocytes or blastocysts.
2. Precise straight cut and evenly polished opening of micropipettes are ideal for holding without slip or damage to oocytes and blastocysts during procedures.

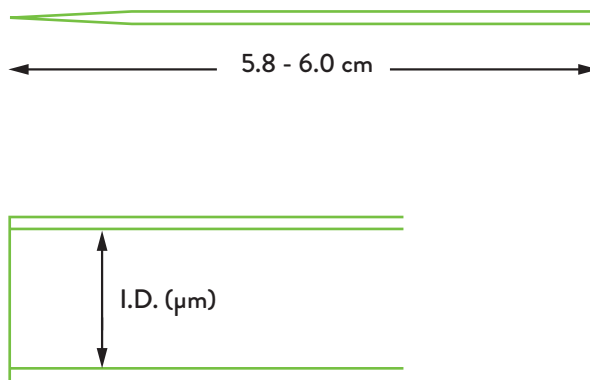
Holding micropipettes are used to secure and hold oocyte or embryo during ICSI and/or other procedures.

QUALITY CONTROL SPECIFICATIONS

- Endotoxin level < 0.5 EU/device
- MEA percent blastocysts > 80%
- Sterility SAL 10^{-6}

Ref No.	Description	I.D.
<i>Denuding pipette (50 pieces per box)</i>		
D-120	Straight and flat opening	120 $\mu\text{m} \pm 5 \mu\text{m}$
D-130	Straight and flat opening	130 $\mu\text{m} \pm 5 \mu\text{m}$
D-140	Straight and flat opening	140 $\mu\text{m} \pm 5 \mu\text{m}$
D-150	Straight and flat opening	150 $\mu\text{m} \pm 5 \mu\text{m}$
D-160	Straight and flat opening	160 $\mu\text{m} \pm 5 \mu\text{m}$
D-170	Straight and flat opening	170 $\mu\text{m} \pm 5 \mu\text{m}$
D-180	Straight and flat opening	180 $\mu\text{m} \pm 5 \mu\text{m}$
D-190	Straight and flat opening	190 $\mu\text{m} \pm 5 \mu\text{m}$
D-200	Straight and flat opening	200 $\mu\text{m} \pm 5 \mu\text{m}$
D-250	Straight and flat opening	250 $\mu\text{m} \pm 5 \mu\text{m}$

Note: customization available with short turnaround time.



DENUDING PIPETTE

1. Wide range of Inner Diameter selections of micropipettes to accommodate user preferences.
2. Straight and flat openings are evenly polished with high precision techniques and thorough examination for smoothness, minimizing damages to oocyte during denudation.
3. Holder and silicon bulbs used with denuding micropipettes are available separately.

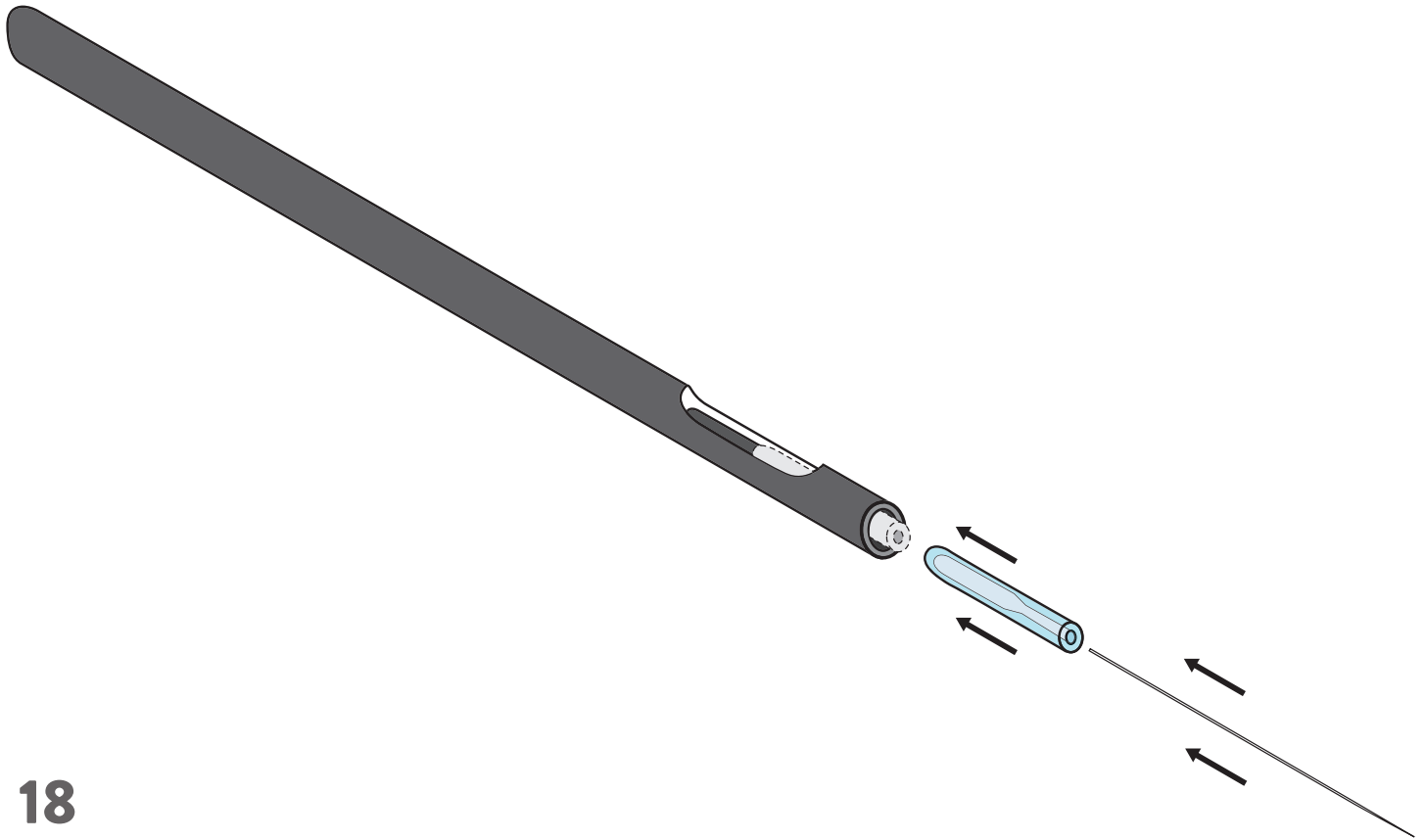
Denuding micropipettes are used to separate cumulus cells from the oocyte.

QUALITY CONTROL SPECIFICATIONS

- Endotoxin level < 0.5 EU/device
- MEA percent blastocysts > 80%
- Sterility SAL 10^{-6}

Product Name	Description	Specification
--------------	-------------	---------------

Silicon Bulb (5 pieces per bag)	Connect to denuding pipette	Length: 25 mm
Holder	Hold silicon bulb for operation	Length: 120 mm



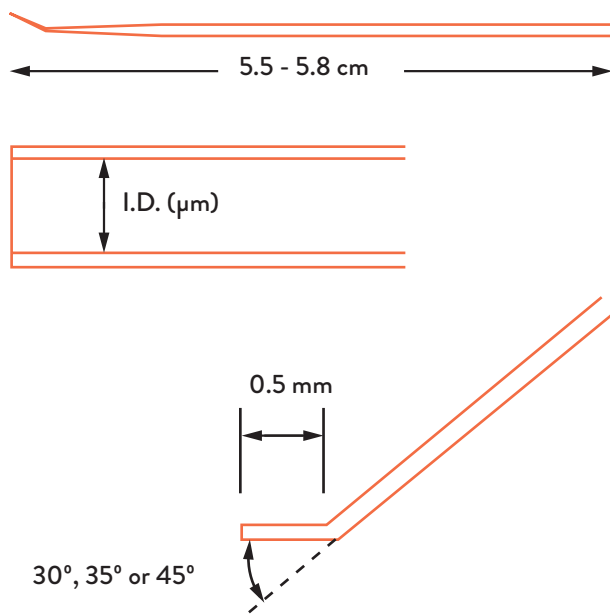
SILICON BULB & JY HOLDER

1. Silicon bulbs are inserted in the holders and the denuding micropipettes are then connected to the bulbs.
2. Provide smooth and stable control with ease of use of micropipettes during procedures.

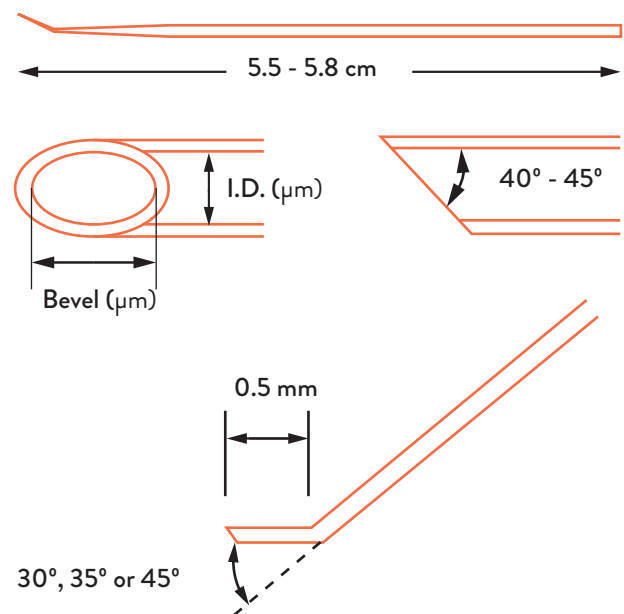
Silicon Bulb and JY Holder are used with denuding micropipettes during denudation procedures.

Ref No.	Description	O.D.	I.D.
<i>Biopsy pipette – flat and polished (10 pieces per box)</i>			
B-30-FP	30° - 35° - 45° angle, flat and polished	33.0 ± 0.5 μm	30.0 ± 0.5 μm
B-35-FP	30° - 35° - 45° angle, flat and polished	38.0 ± 0.5 μm	35.0 ± 0.5 μm
B-40-FP	30° - 35° - 45° angle, flat and polished	43.0 ± 0.5 μm	40.0 ± 0.5 μm
<i>Biopsy pipette- beveled and polished (10 pieces per box)</i>			
B-30-BP	30° - 35° - 45° angle, beveled and polished	33.0 ± 0.5 μm	30.0 ± 0.5 μm
B-35-BP	30° - 35° - 45° angle, beveled and polished	38.0 ± 0.5 μm	35.0 ± 0.5 μm
B-40-BP	30° - 35° - 45° angle, beveled and polished	43.0 ± 0.5 μm	40.0 ± 0.5 μm

Note: customization available with short turnaround time.



FLAT AND POLISHED PIPETTE



BEVELED AND POLISHED PIPETTE

BIOPSY PIPETTE

1. Wide selection of angles, diameters ranges, with flat and polished features to meet user preferences.
2. Specialized techniques are applied to accomplish a perfectly even cut to minimize negative impacts on the oocyte.

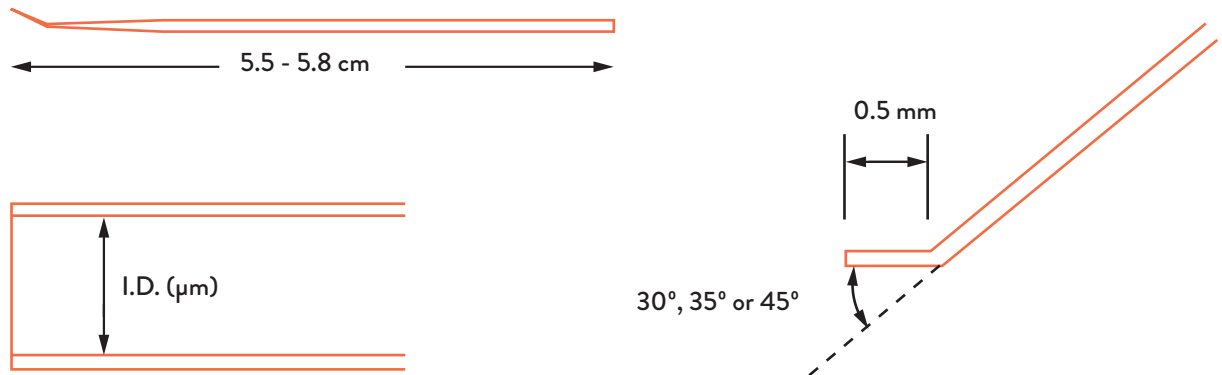
Biopsy micro-pipettes are used to remove a blastomere from a developing genetic diagnosis (PGD).

QUALITY CONTROL SPECIFICATIONS

- Endotoxin level < 0.5 EU/device
- MEA percent blastocysts > 80%
- Sterility SAL 10^{-6}

Ref No.	Description	O.D.	I.D.
<i>Polar Body Biopsy pipette – flat and polished (10 pieces per box)</i>			
PB-30-FP	30° angle, flat and polished	17.5-18.5 μm	14.5-15.5 μm
PB-35-FP	35° angle, flat and polished	17.5-18.5 μm	14.5-15.5 μm
PB-45-FP	45° angle, flat and polished	17.5-18.5 μm	14.5-15.5 μm

Note: customization available with short turnaround time.



POLAR BODY BIOPSY PIPETTE

1. Wide selection of angles, flat and polished, to accommodate user preferences.
2. Openings are meticulously polished to perfection to minimize damage to oocyte.

Polar Body Biopsy micropipettes are used to remove the polar body of an oocyte for pre-implantation genetic diagnosis (PGD).

QUALITY CONTROL SPECIFICATIONS

- Endotoxin level < 0.5 EU/device
- MEA percent blastocysts > 80%
- Sterility SAL 10^{-6}

Ref No.	Description
---------	-------------

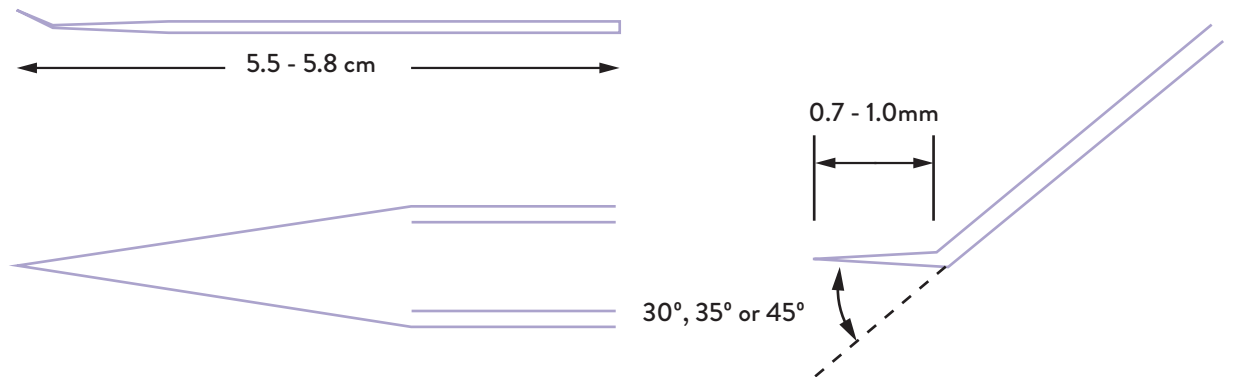
Partial Zona Dissection (PZD) pipette (10 pieces per box)

PZD-30 30° angle

PZD-35 35° angle

PZD-45 45° angle

Note: customization available with short turnaround time.



PARTIAL ZONA DISSECTION (PZD) PIPETTE

1. Different angle choices available to accommodate user preferences.
2. PZD micropipettes are dindled meticulously to create a strong, sharp tip to facilitate clean and precise piercing of the oocyte or embryo.

Partial Zona Dissection (PZD) micropipette sare used in blastomere biopsy and hatching procedures by mechanically piercing the zona pellucida.

QUALITY CONTROL SPECIFICATIONS

- Endotoxin level < 0.5 EU/device
- MEA percent blastocysts > 80%
- Sterility SAL 10^{-6}

Ref No.	Description	I.D.
---------	-------------	------

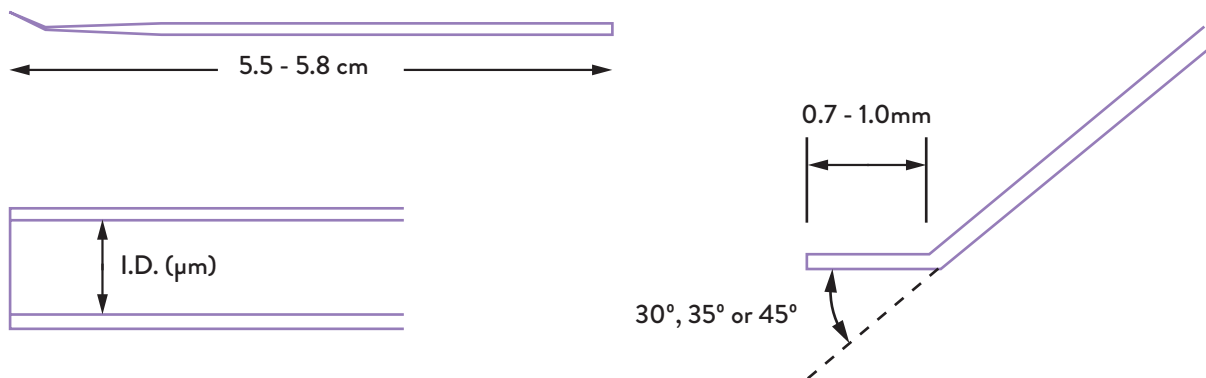
Assisted Hatching (AH) pipette (10 pieces per box)

AH-30	30° angle	9.5-10.5 μm
-------	-----------	-------------

AH-35	35° angle	9.5-10.5 μm
-------	-----------	-------------

AH-45	45° angle	9.5-10.5 μm
-------	-----------	-------------

Note: customization available with short turnaround time.



ASSISTED HATCHING (AH) PIPETTE

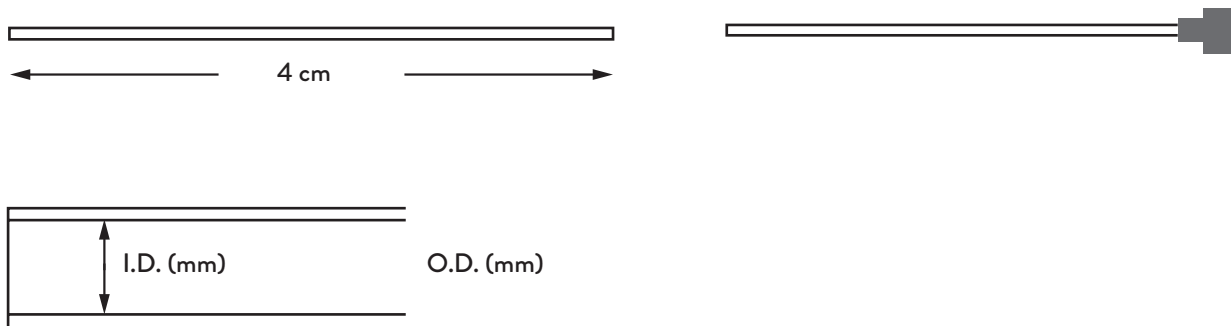
1. Different angle choices available to accommodate user preferences.
2. Blunt and slightly polished opening helps the transfer of solutions easily without damage to the oocyte or embryo.

Assisted Hatching (AH) micropipettes are used to chemically thin out and puncture the zona pellucida.

QUALITY CONTROL SPECIFICATIONS

- Endotoxin level < 0.5 EU/device
- MEA percent blastocysts > 80%
- Sterility SAL 10^{-6}

Ref No.	Description	O.D.	I.D.
<i>Transfer pipette (25 pieces per bag)</i>			
TP-1200	65 mm in length	1.15 mm- 1.25 mm	0.80 mm- 0.89 mm



TRANSFER PIPETTE

QUALITY CONTROL SPECIFICATIONS

- Endotoxin level < 0.5 EU/device
- MEA percent blastocysts > 80%
- Sterility SAL 10^{-6}

Transfer pipettes are made from borosilicate glass, carefully fired polished at one end to minimize any damage or negative impact on the substance being transferred.



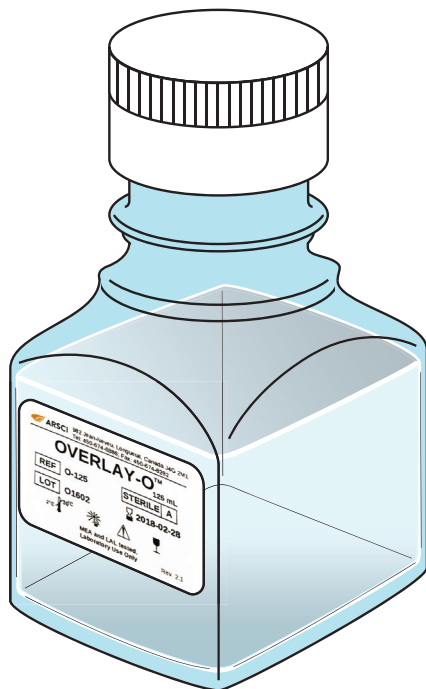


JY mineral oil

Ref No.	Description	Volume
---------	-------------	--------

JY-O-125	Overlay-O	125 ml
----------	-----------	--------

JY-O-500	Overlay-O	500 ml
----------	-----------	--------



OVERLAY-O (PARAFFIN OIL)

QUALITY CONTROL SPECIFICATIONS

- Endotoxin level < 0.5 EU/ml
- MEA percent blastocysts > 85%
- Sterility SAL 10^{-3}
- Store at 2-8° C after opening

Filtration technique of sterilization is used to produce a pure and light overlay for a stable pH, osmolality and temperature of culture media during IVF and micro-manipulating procedures.





JY cryopreservation system

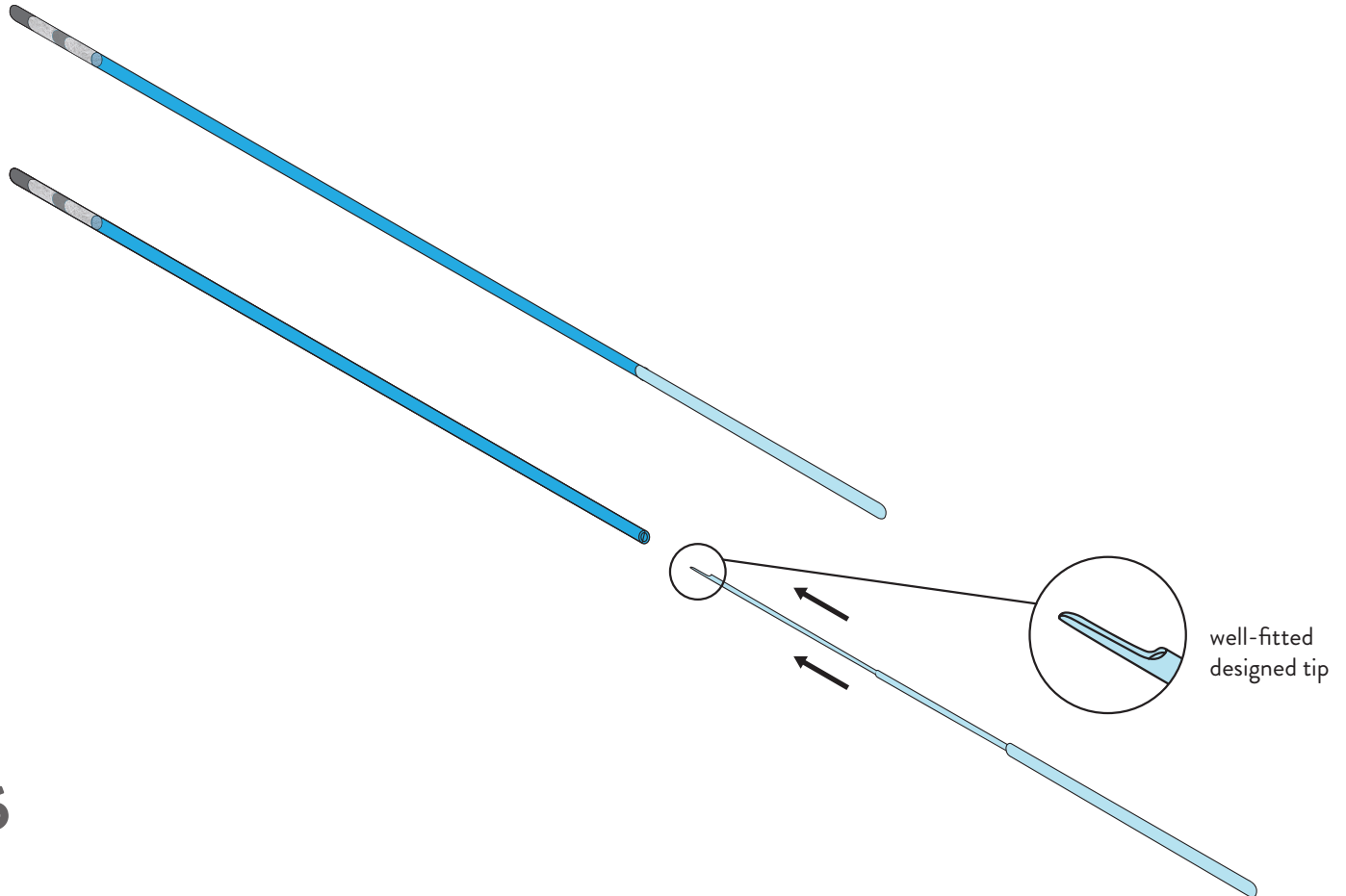
Product Name	Description	Specification
--------------	-------------	---------------

JY Straw (50 pieces per box)

JYS

Available in 6 different colors for identification purposes

Length: 130 mm



JY STRAW

JY Straw is a safe water-proof system for storage of frozen oocyte or embryo. The system is easy to use and proven to maintain effectively a high survival rate of oocytes and embryos after thawing procedures.

QUALITY CONTROL SPECIFICATIONS

- Endotoxin level < 0.5 EU/device
- MEA percent blastocysts > 80%
- Sterility SAL 10^{-6}

Upcoming projects

Dear fellow professionals,

I would like to first express my profound gratitude for the patience that you have been giving us for the past 10 years. Your devoted support has always been our prime motivation for constant innovation from our team at ARSCI in improving our products to meet your expectations. These 10 years have been significant to ARSCI and like any other start-ups we learn and advance through your feedbacks and experience.

Our promise to make your life simple still stands. We aim to provide you with the best quality one stop shopping for all your IVF devices. For the upcoming year our team at ARSCI is committed to launch a new line of products: culture media and solutions. As a professional myself, I understand the difficulty and frustration we encounter when a product does not fulfill its purpose smoothly. I am dedicated in solving your problem as well as mine. Because, after all, making new life is supposed to be a natural, simple process.

ARSCI team would be very honored to assist in your next achievements of your career. Let us be the wings to your success.

“Make life simple”

Sincerely yours,

A handwritten signature in black ink, appearing to read 'Ri-Cheng Chian', written on a light-colored background.

Dr. Ri-Cheng Chian



ARSCI

www.arsci.ca

info@arsci.ca